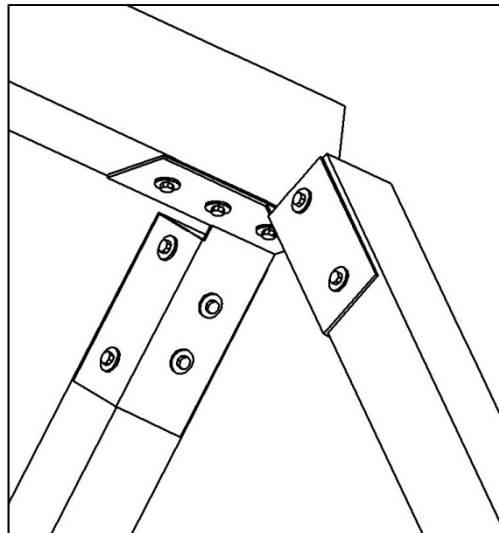


# A FRAME BRACKET INSTRUCTIONS



## **Introduction**

The instructions detailed in this manual pertain to assembling the A frame portion of a swing set or playset to a wooden beam. These instructions pertain to a single wooden beam attached to a fort. These are not meant to be used for a free standing swing set.

## **Bill of Materials**

You will need the following:

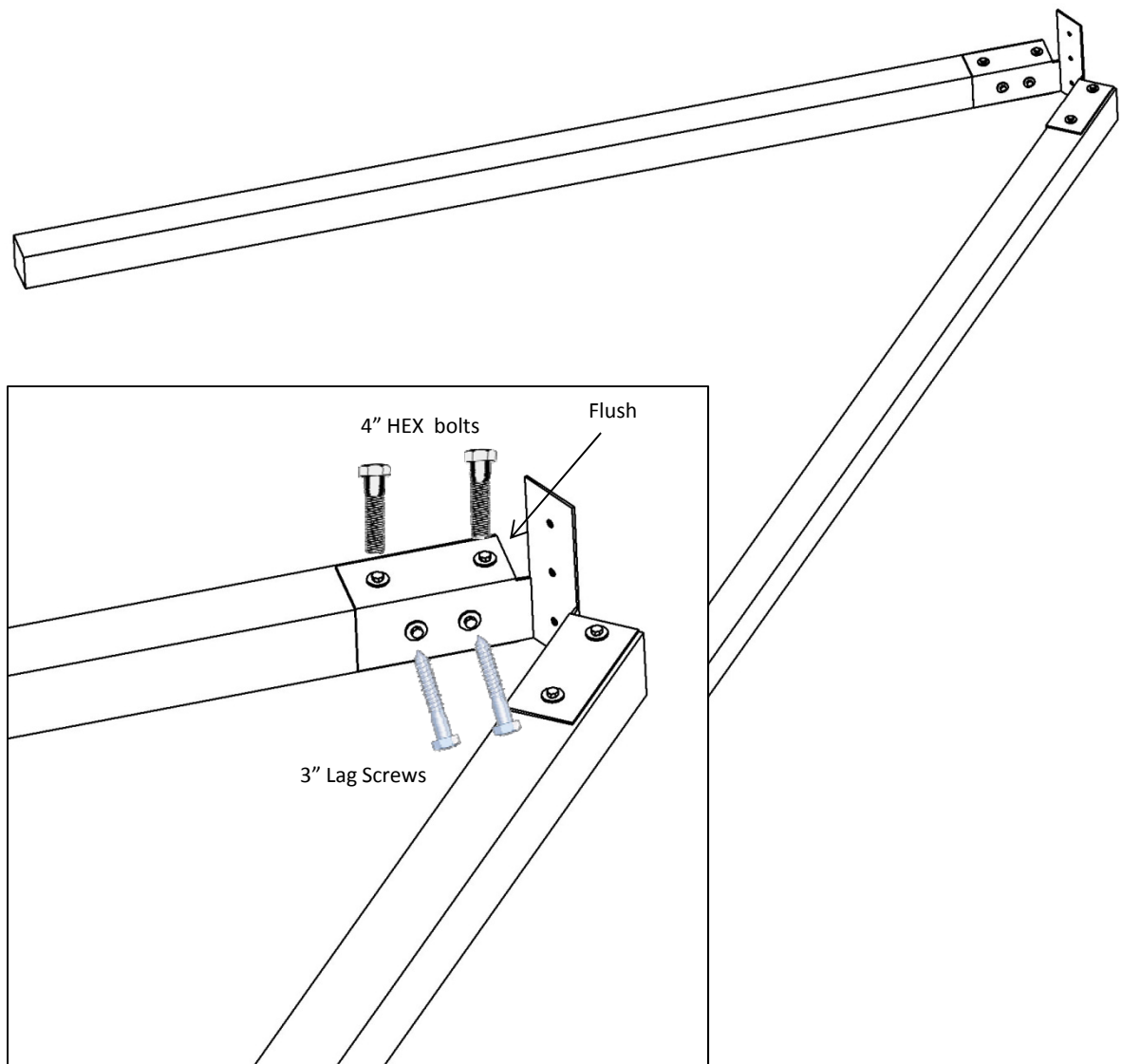
- (1) [A frame bracket](#)
- (4) 3/8"x4" Galvanized hex bolts
- (3) 3/8"x6" Galvanized hex bolts
- (4) 3/8"x3" Galvanized lag screws
- (18) 3/8" Galvanized washers
- (7) 3/8" Galvanized hex nuts
- (7) 3/8" Galvanized lock washers

The bill of materials above covers everything for the metal bracket itself. It does not cover any other hardware or lumber for the structure of the swing set.

For lumber, a typical assembly uses 4x4 legs and a 4x6 wooden, pressure treated beam.

### **Step 1: Build A-Frame**

1. Using two clamps, clamp one of the 4x4 legs to one side of the A-Frame Bracket. The top of the 4x4 post should be flush with the top of the A-Frame bracket. Using a pencil, mark the holes for the LAG SCREWS only.
2. Remove the 4x4 from the assembly and drill 1/4" pilot holes, 3" deep.
3. Attach the 4x4 to the A-Frame bracket with the two 3" lag screws and washers.
4. Repeat steps 1-3 for the other side.
5. Using a 3/8" spade bit, drill through the A-Frame bracket and the 4x4 posts in all four locations for the HEX bolts.
6. Turn the assembly over and drill a 1-1/8" recessed hole, 1/8" deep on all four holes.
7. Insert a 4" HEX bolt in each hole and secure with a washer, lock washer and nut. BE SURE TO USE A WASHER UNDER EACH HEX HEAD. Each Hex bolt assembly consists of a hex bolt, two washers, one lock washer, and one nut.
8. Make sure the bolt ends are not protruding. If they are, cut off with a reciprocating saw.



## **Step 2: Attach Bracket**

1. Raise the A-frame assembly into position. The end of the 4x6 swing beam should be flush with the end of the a-frame bracket. Clamp both ends into place. The A-Frame end of the swing beam will be higher than the other end. Spread the 4x4 legs out to level the swing beam.
2. Using a 3/8" bit, drill up through the swing beam for all three holes. Then using a 1-1/8" spade bit, drill 1/8" deep recessed holes on top of the swing beam for all three holes.
3. Place a washer, lock washer and nut on the end of each 6" Hex bolt and secure.

