

TIRE SWING SWIVEL MOUNTING INSTRUCTIONS

Introduction

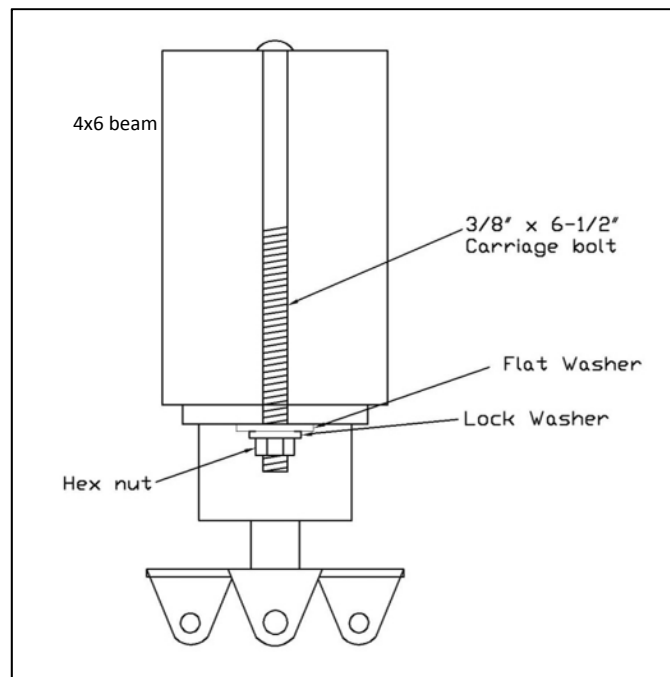
There are two installation types for a [tire swing swivel](#) and they vary slightly in how they are installed. The first is for an 8' tall swing beam. This is a traditional installation where the carriage bolts are facing down. The other installation method is where you install the tire swing under a fort. This is typically a 5' tall platform. Because the swivel is so low and the possibility of kids hitting their head on the bolts, the bolts should be recessed and face up.

Installation for 8' tall swing beam

When installing on an 8' tall swing beam, you need the following hardware. This installation is for a 4x6 swing beam.

- (2) 3/8" x 6-1/2" galvanized carriage bolts
- (2) 3/8" galvanized flat washers
- (2) 3/8" galvanized lock washers
- (2) 3/8" galvanized nuts

Mark the center of the beam and drill the 3/8" thru-holes for the carriage bolts. Install the swivel according to the diagram below.



Installation for 5' tall platform

- 1) If you wish to attach a tire swing/swivel under the fort, please refer to the diagram below. These instructions assume you have a 4x4 joist and 5/4" decking on top for a total of 4-1/2" thick. Use two 4-1/2"x3/8" Hex bolts FACING UPWARD. You MUST have the bolts facing upward and recess the bolt ends into the 5/4 decking. To do this, drill a 1-1/8" hole about 3/4" deep in the decking to accept the washer, lock washer and nut. Installing the hex bolts facing down leaves the bolt ends exposed which presents a safety hazard. You will need the following hardware:
 - (2) 3/8"x4-1/2" galvanized HEX bolts
 - (4) 3/8" galvanized flat washers
 - (2) 3/8" galvanized lock washers
 - (2) 3/8" galvanized nuts

- 2) MAKE SURE THE ENDS OF THE BOLTS ARE RECESSED INTO THE 5/4 DECKING. Use a flat washer one each end of the hex bolts. Install the lock washer and nut on the threaded end.

